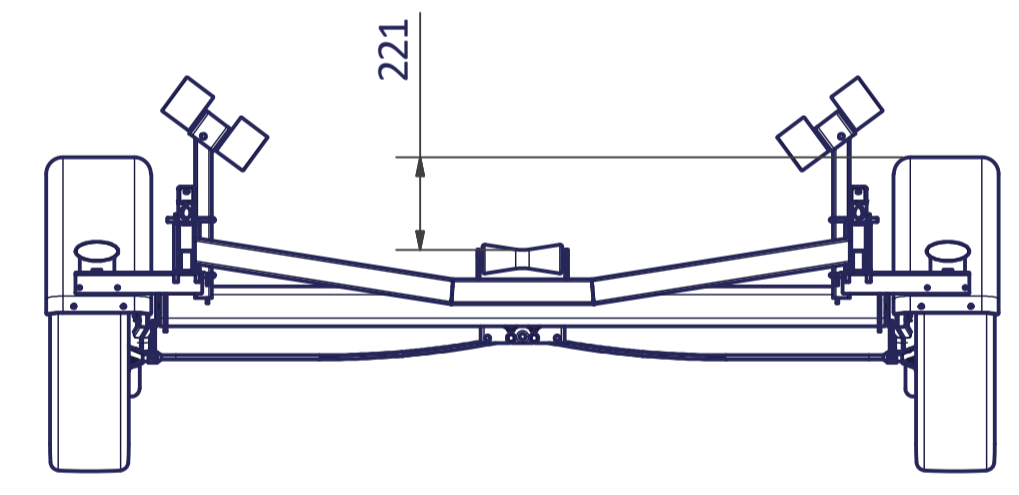
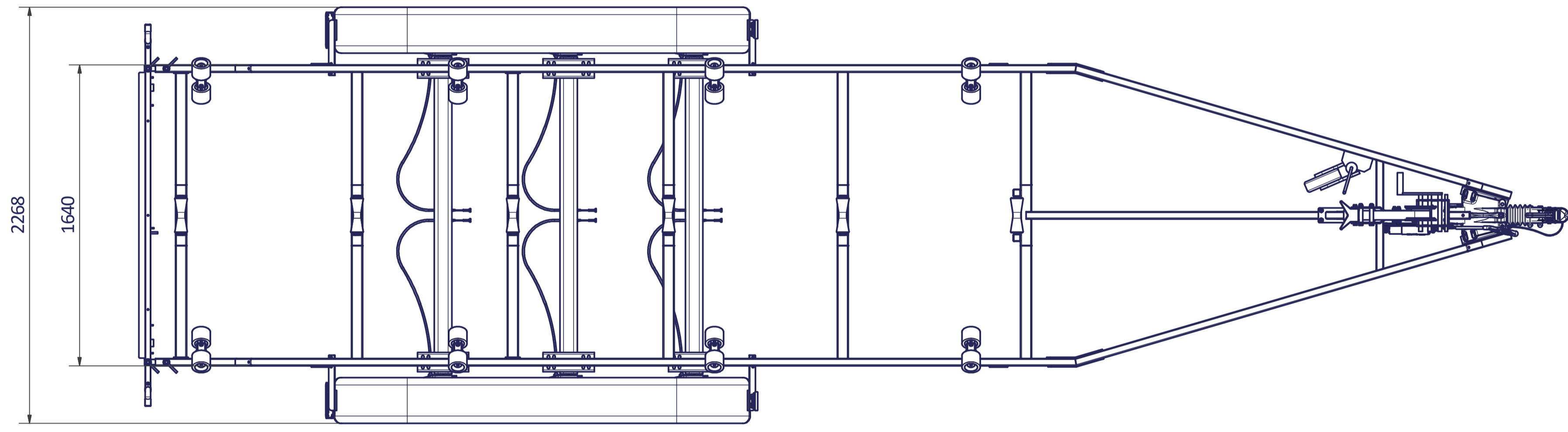
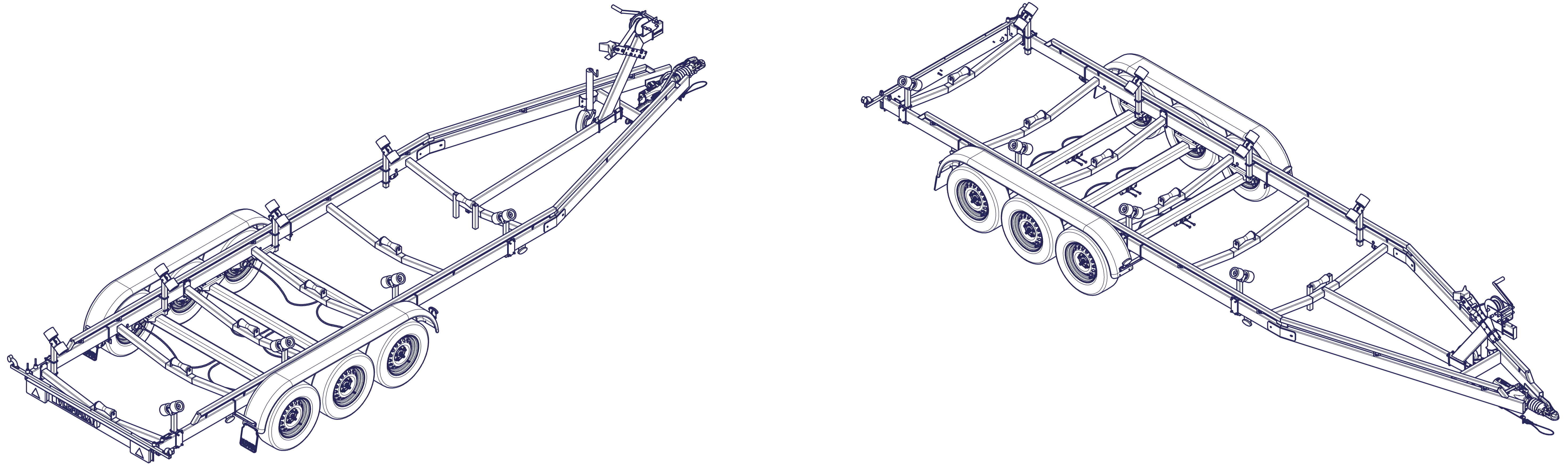
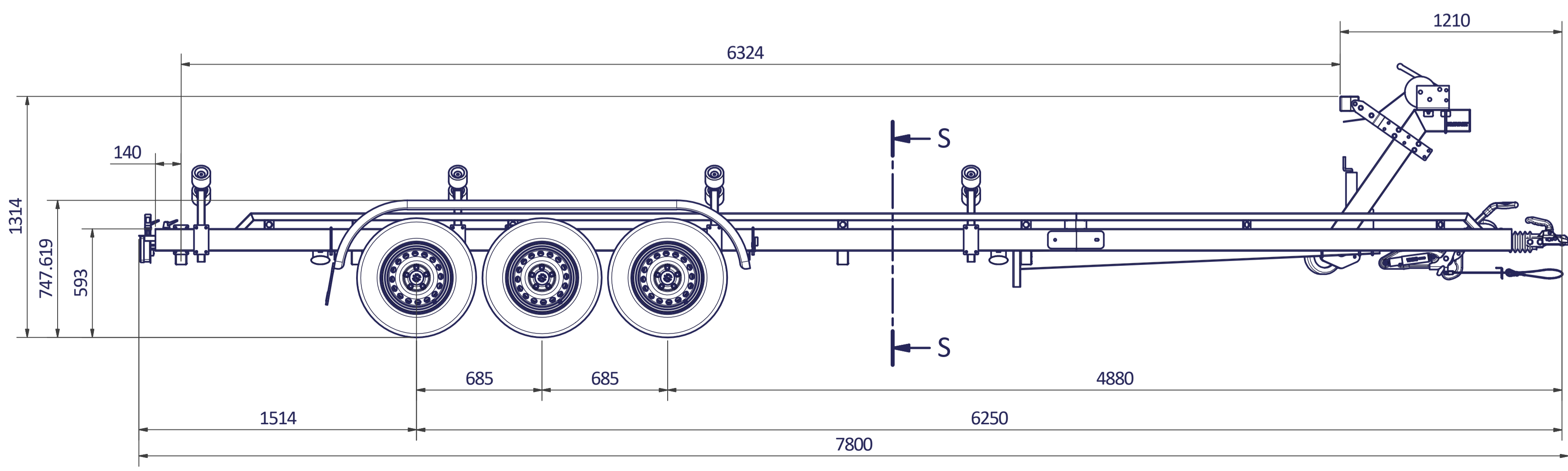


12 11 10 9 8 7 6 5 4 3 2 1



S-S



BOOTTRAILER 780

3x AS 1350/1500/1800 kg

Surface treatment: ZINK PLATED			
QTY:	© VLEMMIX AANHANGWAGENS This drawing and its contents may not be made accessible and/or duplicated for others without permission. All rights reserved.		
TOLERANCE:	UNIT:	DRAWN BY:	J.H.
ISO 2768-MK	mm	DATE:	5-7-2021
PROJECT/DRAWING NO.:		BT7.8-041-00	
SCALE:	DESCRIPTION:	SHEET:	A
A1 1:18	BOOTTRAILER 7.8 M	2	
		SHEETS:	2

12 11 10 9 8 7 6 5 4 3 2 1